

AN7254

FM Front-end Circuit for Car Radio

■ Description

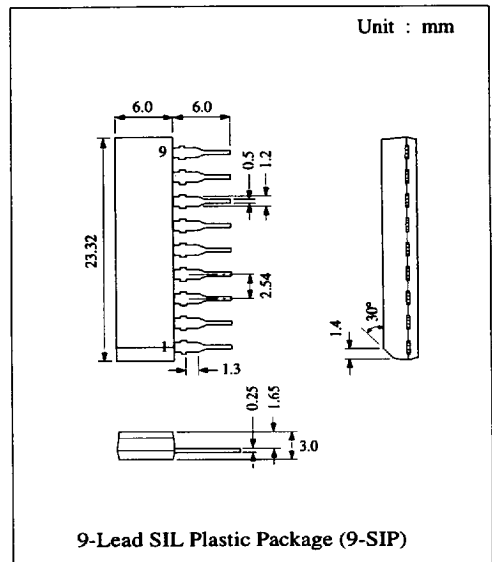
The AN7254 is a monolithic FM front-end integrated circuit, excluding RF amplifier, designed for car radio. The chip comprises mixer, local oscillator, IF amplifier and AGC amplifier.

■ Features

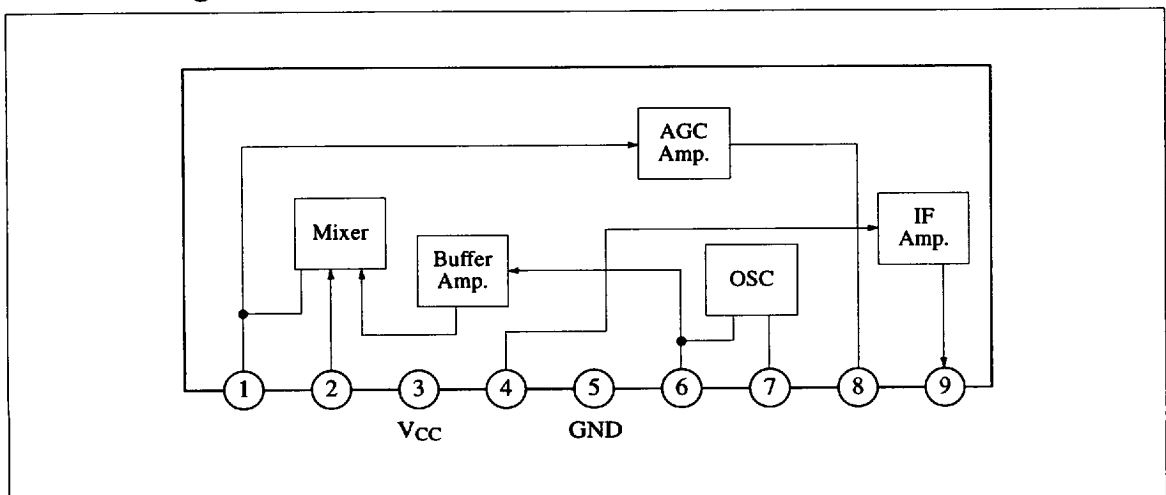
- Small characteristics fluctuation and high stability
- High gain by built-in IF amplifier
- Fewer external parts allow simple assembling operation and high reliability

■ Pin

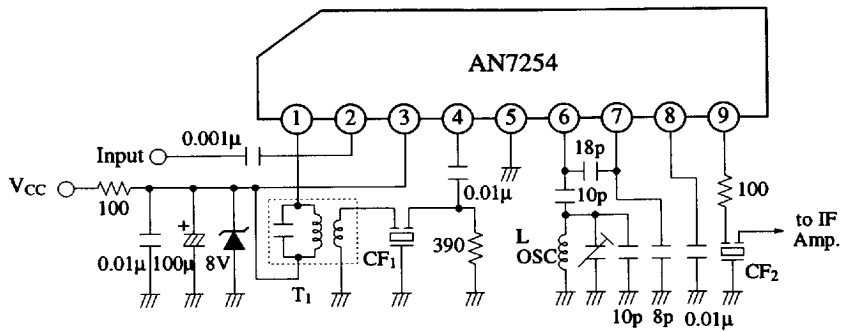
Pin No.	Pin Name
1	Mixer Output
2	Mixer Input
3	V _{CC}
4	IF Amp. Input
5	GND
6	OSC Base
7	OSC Emitter
8	AGC Output
9	IF Amp. Output



■ Block Diagram



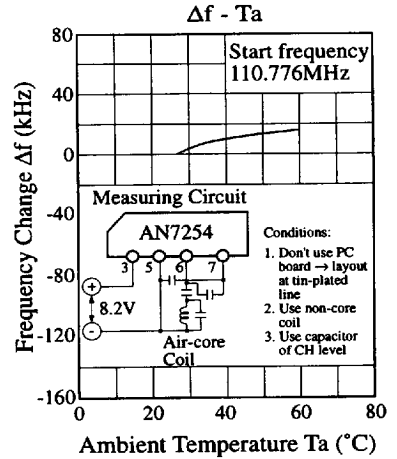
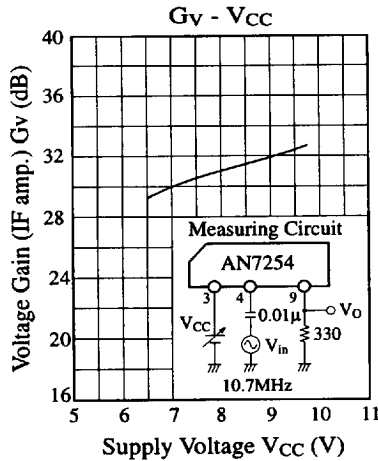
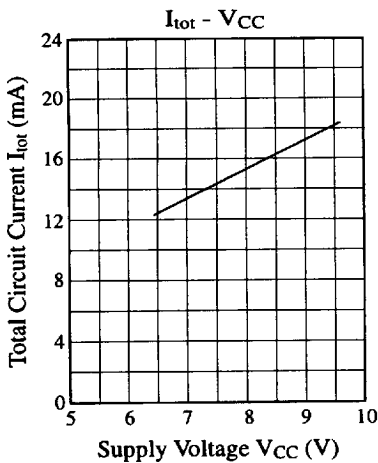
■ Application Circuit



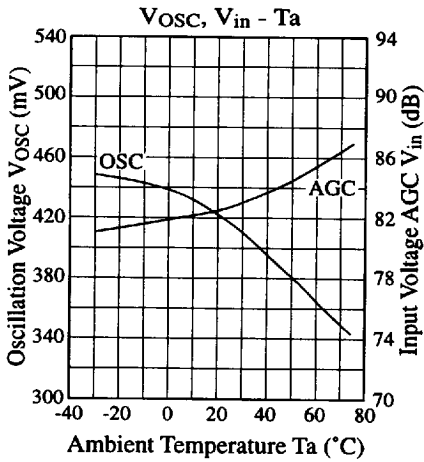
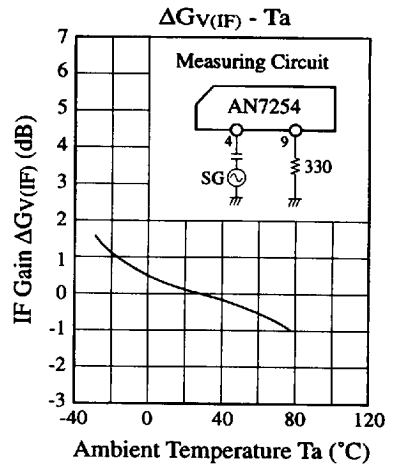
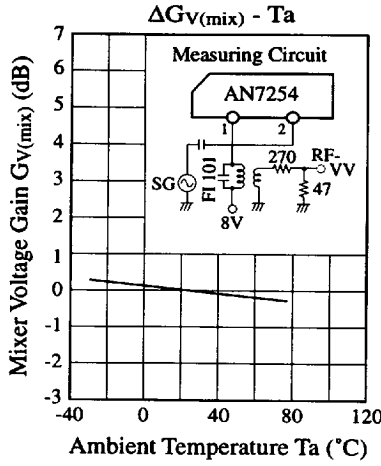
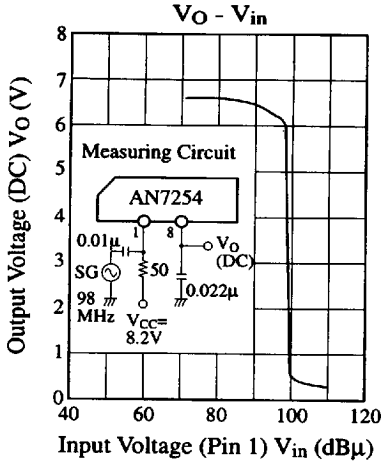
■ Coil Specifications

Symbol	Use, Freq.	Type No.	Maker	Connection Diagram	Number of Turns	Tuning Cap.	Unloaded Q
T ₁	FM IFT 10.7MHz	EIF-7S752A	Matsushita		①...② 8T ②...③ 5T ④...⑥ 2T	100pF	90

■ Characteristics Curve



■ Characteristics Curve (Continue)



■ Printed Circuit Board Layout (Scale: 1:1)

