

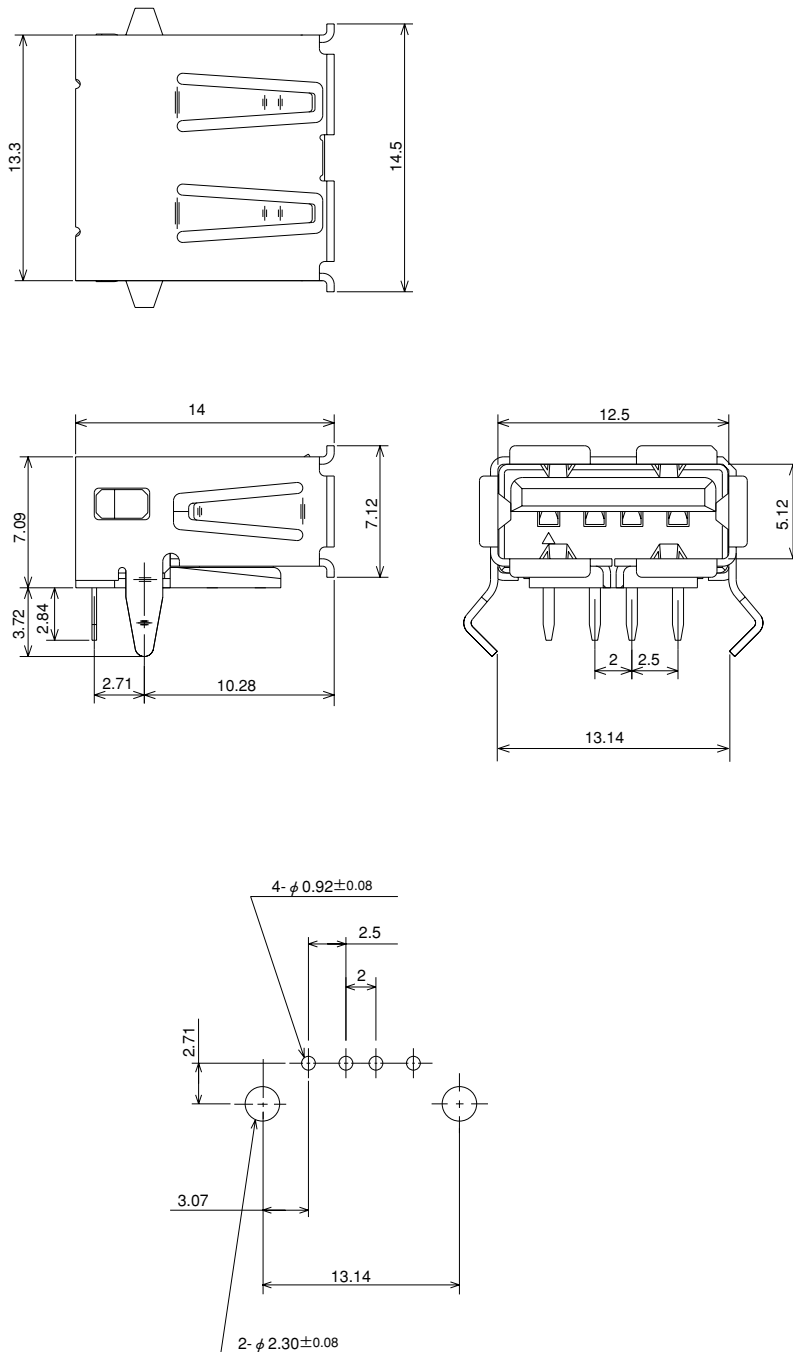
USB A TYPE RECEPTACLE

DUSB-ARA42-T11A



Dimensions

Unit : mm



RECOMMENDED P.C.B. MOUNTING DIMENSIONS
RECOMMENDED P.C.B. THICKNESS OF 1.57 \pm 0.19