

### FEATURES

- Reflow solderable
- With rotation stopper
- Low profile type (1.2mm in height)
- Conform to RoHS Directives
- Achieved excellent endurance characteristics by using “Metal-glaze” film

### PICTURE



### Electrical Characteristics

Standard Resistance Range	100Ω to 1MΩ
Resistance Tolerance	±25%
Total Mechanical Rotation Angle	270°±20° With rotation stopper

### Environmental Characteristics

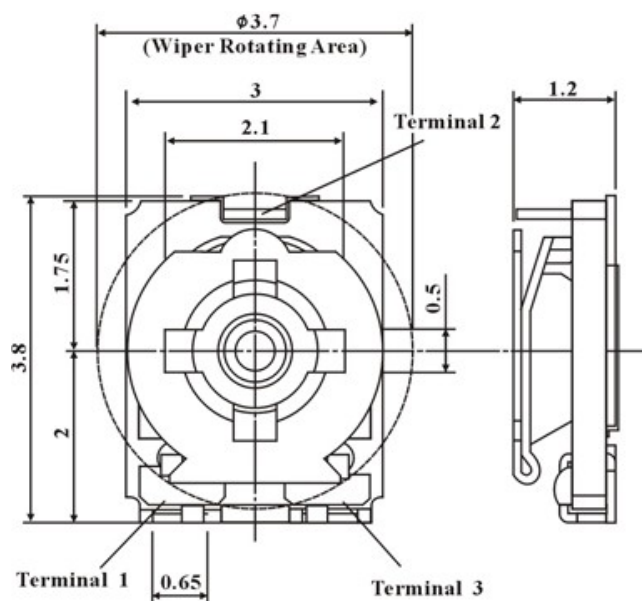
Max. Working Voltage	50V or $V=\sqrt{PR}$ ( Whichever is smaller )
Rated Wattage	0.15Watt
Temperature Range	-40°C to +100°C
Temperature Coefficient	±250ppm/°C

### Physical Characteristics

Rotational Torque	0.98mN·m ~ 11.76mN·m
End Stop Strength	14.7 mN·m (Min.)
Standard Packing	2500 PCS / REEL

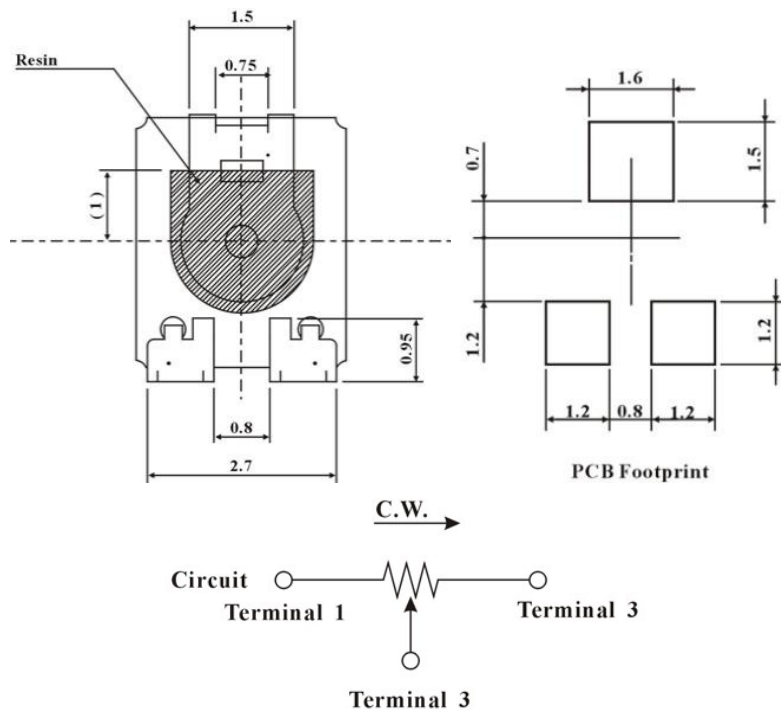
Aqueous cleaning not recommended

### Common Dimensions



#### Standard Resistance table

Resistance (Ohms)	Resistance Code	Resistance (Ohms)	Resistance Code
100	101	20,000	203
200	201	22,000	223
220	221	30,000	303
300	301	33,000	333
330	331	47,000	473
470	471	50,000	503
500	501	68,000	683
680	681	100,000	104
1,000	102	200,000	204
2,000	202	220,000	224
2,200	222	300,000	304
3,000	302	330,000	334
3,300	332	470,000	474
4,700	472	500,000	504
5,000	502	680,000	684
6,800	682	1,000,000	105
10,000	103		



Note: Specifications are subject to change without notice.