

FEATURES

- Reflow solderable
- With rotation stopper
- Low profile type (1.2mm in height)
- Conform to RoHS Directives
- Achieved excellent endurance characteristics by using “Metal-glaze” film

PICTURE



Electrical Characteristics

| | |
|---------------------------------|-----------------------------------|
| Standard Resistance Range | 100Ω to 1MΩ |
| Resistance Tolerance | ±25% |
| Total Mechanical Rotation Angle | 270°±20° With rotation stopper |

Environmental Characteristics

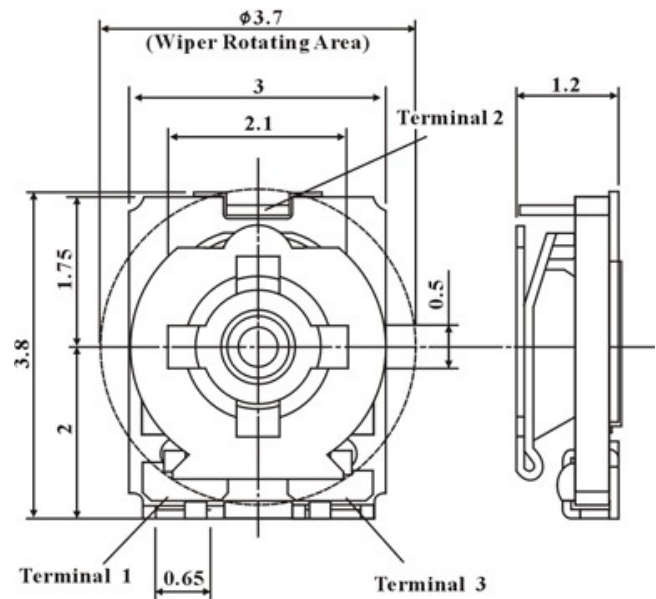
| | |
|-------------------------|--|
| Max. Working Voltage | 50V or $V=\sqrt{PR}$ (Whichever is smaller) |
| Rated Wattage | 0.15Watt |
| Temperature Range | -40°C to +100°C |
| Temperature Coefficient | ±250ppm/°C |

Physical Characteristics

| | |
|-------------------|----------------------|
| Rotational Torque | 0.98mN·m ~ 11.76mN·m |
| End Stop Strength | 14.7 mN·m (Min.) |
| Standard Packing | 2500 PCS / REEL |

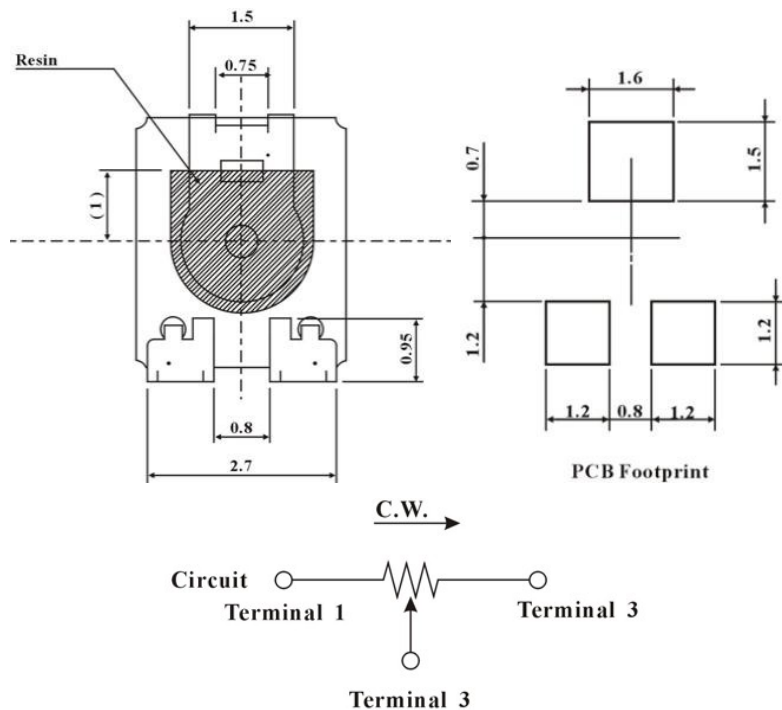
Aqueous cleaning not recommended

Common Dimensions



Standard Resistance table

| Resistance (Ohms) | Resistance Code | Resistance (Ohms) | Resistance Code |
|-------------------|-----------------|-------------------|-----------------|
| 100 | 101 | 20,000 | 203 |
| 200 | 201 | 22,000 | 223 |
| 220 | 221 | 30,000 | 303 |
| 300 | 301 | 33,000 | 333 |
| 330 | 331 | 47,000 | 473 |
| 470 | 471 | 50,000 | 503 |
| 500 | 501 | 68,000 | 683 |
| 680 | 681 | 100,000 | 104 |
| 1,000 | 102 | 200,000 | 204 |
| 2,000 | 202 | 220,000 | 224 |
| 2,200 | 222 | 300,000 | 304 |
| 3,000 | 302 | 330,000 | 334 |
| 3,300 | 332 | 470,000 | 474 |
| 4,700 | 472 | 500,000 | 504 |
| 5,000 | 502 | 680,000 | 684 |
| 6,800 | 682 | 1,000,000 | 105 |
| 10,000 | 103 | | |



Note: Specifications are subject to change without notice.